



Product Model Number

CKO-ZU16-085019-8501

✓ Model Number Definitions

CKO-XXXX-XXXXXX-XXXX

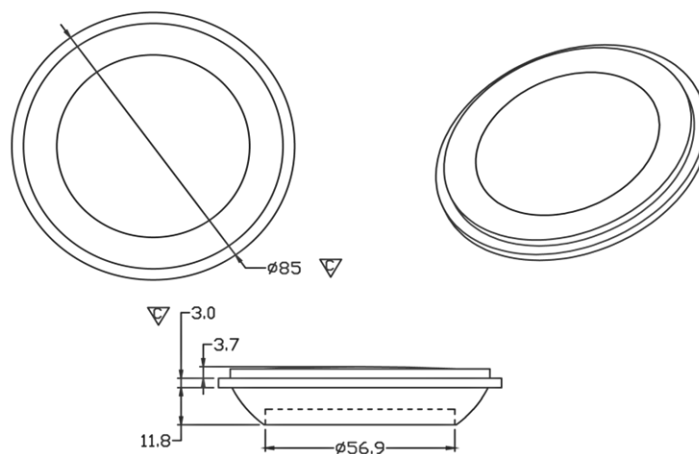


- A. Chun Kuang Optics Corp. Product
- B. Product Type: product abbreviation
Ex:
CH→CoB High Intensity
CC→CoB Compact
ZU→Multi-Angle Zooming Lens
HC→Holder for CoB LED

- C. Identity Code
- D. Lens / Fixture Size
Ex: 075026=Φ75mm / Thickness=26mm (round up)
- C. Serial Numbers

The lens datasheet is applicable for **Luminus LED**, that manufactured by Chun Kuang Optics Corp.

✓ Dimensions (mm) : Φ85 x 18.5

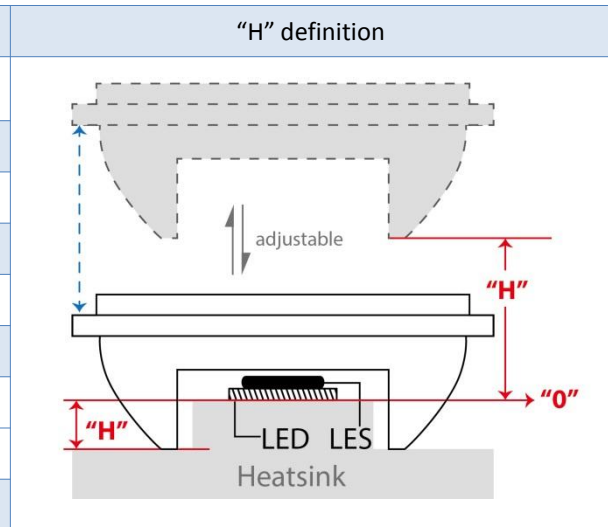


▽:Critical Dimension

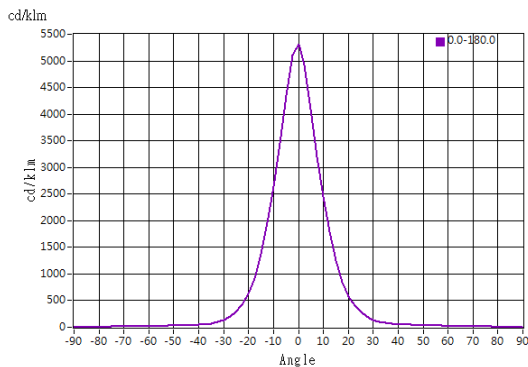


Optical Characteristics

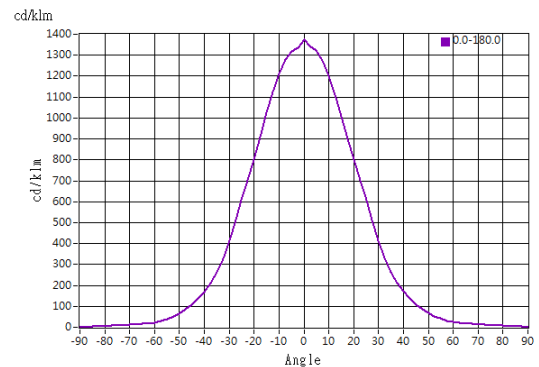
Model Number	CKO-ZU16-085019-8501
LED	CLM-14-AC40
LES / LED Size	Φ 14.5 mm
FWHM (D50)	19°-46°
Field Angle (D10)	42°-84°
H (distance)	4.5mm~2.6mm
Dimension	Φ =85 mm, Thickness=18.5 mm
Luminous Flux	2587 lm ~ 2673 lm (19°-46°) Measured @17.3 W
Material	PC / UL94V2



cd/klm

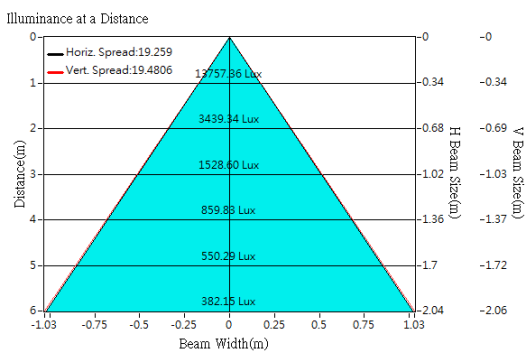


H: 4.5 mm

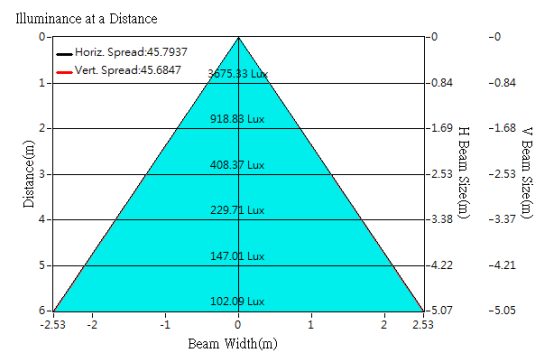


H: -2.6 mm

Illuminance At Distances



H: 4.5 mm



H: -2.6 mm